

Operating instructions for AirMaid[®] 200 W ozone generator



AIRMAID[®] OZONE CLEANING SYSTEM

INNOVATIVE AIR TREATMENT

WARNINGS AND SAFETY INFORMATION

General

The device should not be used by children or persons with reduced physical, sensory or mental capabilities, or lack of experience and knowledge, unless supervised or given instruction. Children should be supervised to ensure that they do not play with the appliance.

This manual contains important information about instructions and safety for AirMaid® ozone generators (called the generator). Read this manual carefully before installing, operating or performing service and maintenance on the generator.

The generator is only for ozone treatment of air according to the instructions in this manual.

The generator uses high voltage to create an electric discharge that produces ozone (O₃). Ozone considerably reduces odours. Absolent CKV AB disclaims any liability if the product is not used according to the manufacturer's instructions in this manual.

The generator should never be cleaned with chemical cleaners. Never spray water or any other liquid on or in the generator.

Troubleshooting and service information

1. Users can troubleshoot the generator themselves by following the steps and procedures described in the system testing section in this manual. If the user needs to service the generator, the user has to contact the nearest authorised service partner or Absolent CKV's technical support team.
2. Any type of repair on the generator must be performed by an Absolent CKV AB authorised service partner.



There must be no current in the generator before any service or maintenance is carried out. Ensure that all parts are installed before operating the generator again.



Use a ladder or a stable work platform for installation or service operations on the generator if it is to be installed/serviced at a height.



The generator produces ozone. If the generator is used or misused by people who have not read the manual, there is a risk of injury such as eye and lung irritation. Always follow local regulations and recommendations by government agencies in charge of regulations or working environment.



This manual describes a typical installation of an AirMaid® 200 W ozone generator. The installation can vary depending on local rules and regulations for building materials, ventilation systems or building/room design. Deviations may occur, but consult the manufacturer first before such an installation is performed.

PRODUCT WARRANTY

LIMITED WARRANTY FOR Absolent CKV'S EQUIPMENT

This guarantee is subject to the following conditions.

A new product is guaranteed to be free from damage and/or workmanship fault for a period of 3 years from the original purchase date.

The ceramic elements effect will decrease eventually and you will have to replace them. This also means that ceramic elements do not fall within the scope of the 3-year warranty.

The warranty of a new product covers the repair or replacement of the damaged part and shipping the product back to the customer.

A new spare part is guaranteed to be free from damage and/or workmanship fault for a period of ninety (90) days from the date of the original installation.

The spare part guarantee only covers repair or replacement of the damaged part and does not include the labour for removing or installing the part, travel costs or other expenses in connection with the repair or replacement of the part.

The installation of the product must be carried out according to the installation instructions described in this manual. Circumstances that could render the warranty void are:

1. If a foreign object such as water or detergent is sprayed onto or into the generator;
2. If the generator is overheated because the inlet or outlet is blocked;
3. If the regular generator maintenance has not been conducted as described in this manual;
4. If the generator is not installed according to the instructions in this manual.

A claim must be submitted to the dealer or manufacturer. No compensation will be granted for repairs performed by anyone else without the prior written consent of Absolent CKV. If damage occurs during shipping, notify the sender immediately to file a complaint.

The foregoing limited warranty does not apply to damage caused by accidents, product modifications, misuse or in case the serial number has been removed or defaced.

CONTENT

1. Inspect the product	5	5. System testing.....	7
2. System overview	5	6. Service and maintenance	8
3. Installation guide	6	7. Technical specification	9
4. Wiring.....	7		

1. INSPECT THE PRODUCT

Verify that all products ordered have been delivered and that there is no visible damage. Any deviations must always be reported to the dealer or manufacturer. Read the whole manual before commencing the installation.



1x 200 W
AirMaid® ozone generator



1 X operating instructions
200 W



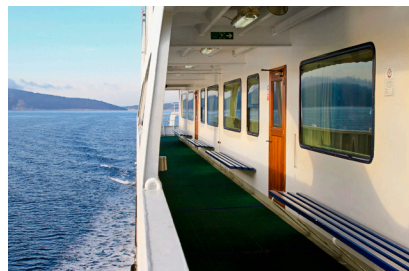
Sleeve coupling Ø70 mm
(optional)



Motion sensor
(optional)

2. SYSTEM OVERVIEW

Below are some examples of where you can use AirMaid® 200 W ozone generator.



Moreover, AirMaid® 200 W can be used in the following applications:

- | | | |
|------------------------|------------------------|----------|
| Offices | Environmental stations | Kitchens |
| Basements | Smoke rooms | Attics |
| Hotel rooms and cabins | Homes | Cars |

3. INSTALLATIONS GUIDE

It is important to remember that the product's ambient temperature must not exceed 40 °C and the air from which the generator draws air must be clean in order to minimise service intervals. The generator should be placed high and close an air intake, if available.

The generator should be placed on a flat surface, preferably 2 metres above the floor. The reason is that ozone is heavier than air and spreads better in the premises to be treated.

Mounting of sleeve coupling Ø70 mm (optional)

Attach the sleeve coupling to the inlet or outlet of the generator by screwing it tight with the cover screws.

4. WIRING

The generator is supplied with a 2.5-metre connection cable. Connect the plug to a 230VAC 50-60 Hz grounded wall outlet.

5. SYSTEM TESTING

1. Turn on the generator by setting the generator switch to "I" position. The red light on the safety switch turns on, you can hear the fan. Make sure there is an arc over the ceramic elements.



- a. Inspect the fan by feeling whether there is an air flow coming out of the outlet (the perforated side of the generator).
 - b. The easiest way to inspect the ceramic elements is by perceiving the smell of ozone in the outlet. The odour is slightly pungent and reminiscent of chlorine.
2. The adjustment screw marked "mg/h" regulates the ozone output in increments of 50, 100, 150 and 200 mg/h. The fan in the generator will operate constantly.
 3. Use the adjustment screw to set the correct amount of ozone needed in the premises that you want treated. This is done by adjusting the screw to a position where the uncomfortable odour in the premises feels at a comfortable level and there should be a slight odour of ozone.
 4. Inform the people who normally visit the premises that they are being ozone-treated and inform them how to adjust the ozone on the generator.

Troubleshooting

If the generator does not work:

1. Make sure the power cord is plugged into an outlet with voltage and that the generator switch is set to "I" and is red. If the generator is still not working, check whether the glass fuse is intact and ensure that it is 315 mA. If it has been replaced and trips again, call your dealer or the manufacturer for technical support.
2. Make sure the generator produces ozone by setting the adjustment screw to "mg/h" in position 200mg/h. If there is no arc over the ceramic elements, please contact the dealer or manufacturer for technical support.
3. Make sure the incoming air filter is not blocked. If it is clogged, a new filter can be ordered from the dealer or manufacturer.
4. Make sure that the fan works by feeling the air flow of the outlet. If the fan does not work, contact your dealer or the manufacturer for technical support.

When replacing ceramic elements

When replacing ceramic elements, remove them carefully from the metal holders, pulling the contacts apart. Then, connect a new ceramic element and install it the same way in its holder. Avoid using sharp tools during the replacement. New ceramic elements can be ordered from the distributor.

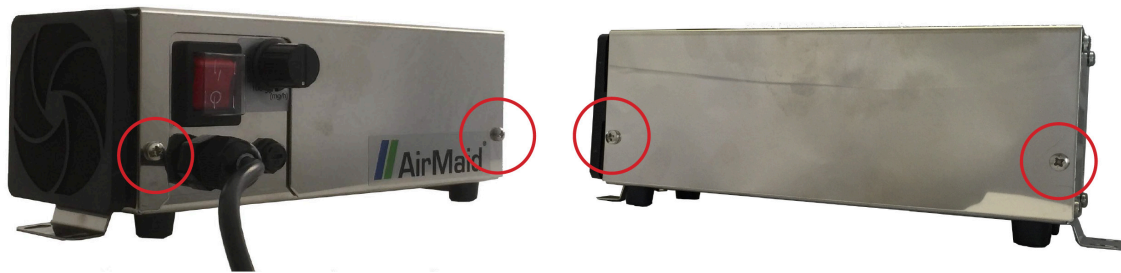
6. SERVICE AND MAINTENANCE

The ceramic elements should be cleaned if necessary. Air filters should be replaced at least once a year. After the installation, it is recommended to inspect the filters after three months.

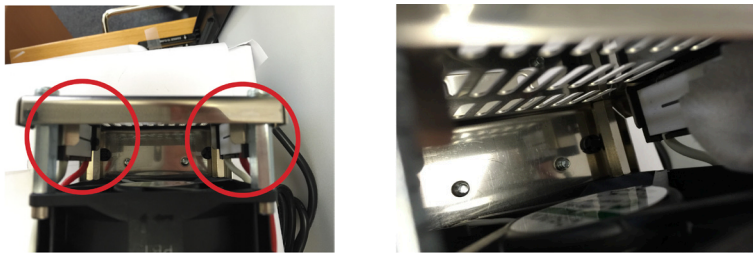
Always wear protective gloves and goggles.

Cleaning the ceramic elements

1. The generator power supply must be disconnected.
2. Remove the four screws that hold the cover and lift it.



3. Clean the ceramic elements and interior surfaces gently with a soft cloth with alcohol.



4. Replace the cover and tighten the four screws.
5. Connect the power supply.

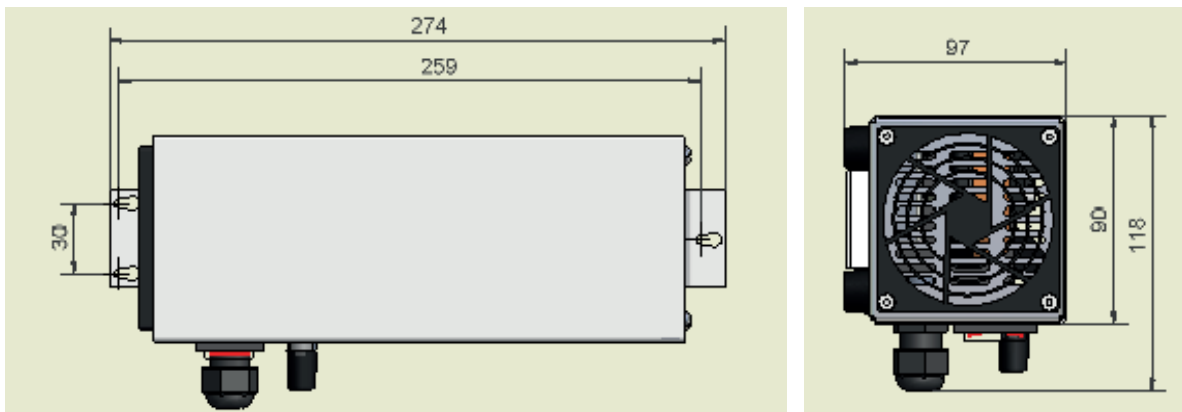
Air filter replacement

1. Disassemble the filter frame to separate the frame holding the filter in place.



2. Remove the old filter and insert the new one. Reassemble the filter frame.

7. TECHNICAL SPECIFICATION



AirMaid	Ozone capacity	Output	Voltage	Weight	Fuse
200 W	0-200 mg/h	30 watt	230V/50-60 Hz	2 kg	315mA

Material: Stainless steel AISI 304

Temperature range: From -25 to +40°C

Dimensions WxLxH: 274x97x118 mm

Fan capacity: 70 m³/h (free blowing)

EC declaration of conformity



This product is designed, manufactured and delivered in accordance with the safety regulations of EU directives:

- EMC Directive 2014/30/EU
- Low Voltage Directive 2006/95/EC



This symbol indicates that when the end user wishes to discard this product, it must be sent to an electrical recycling station.

Facts about ozone

Ozone is a colourless gas with a pungent odour that can be detected by humans at a concentration of as little as 0.02 ppm (0.4mg/m³). The smell of ozone reminds slightly of chlorine in a swimming pool.

Local safety regulations must be followed when using ozone. In Sweden, the Swedish Work Environment Authority issues the following exposure limits for ozone:

- OELV (occupational exposure limit value) 0.1 ppm (for exposure during a working day, i.e. 8 hours)
- CV (ceiling value) 0.3 ppm (valid for a reference period of 15 minutes)

Acute exposure to ozone can lead to damage of the following:

- The skin: Irritation or burning
- The eyes: Severe irritation, can cause burns and visual impairment
- The lungs: Irritating effect on the respiratory tract and breathing problems

As a rule of thumb, you should always take precautions if ozone can be detected in one way or another in the indoor environment.

Reproduction, revision or translation without prior written permission is prohibited, except as permitted under copyright laws.

Copyright

© 2023 Copyright Absolent CKV AB

Version 2 01/2023

36077

Reseller:

Absolent AIR CARE
GROUP

Commercial Kitchen Ventilation Division

Manufacturer:

Absolent CKV AB
Reprovägen 12, 2tr
SE-183 77 Täby
Sweden

Email:

info@absolentckv.com
Internet: www.airmaid.com